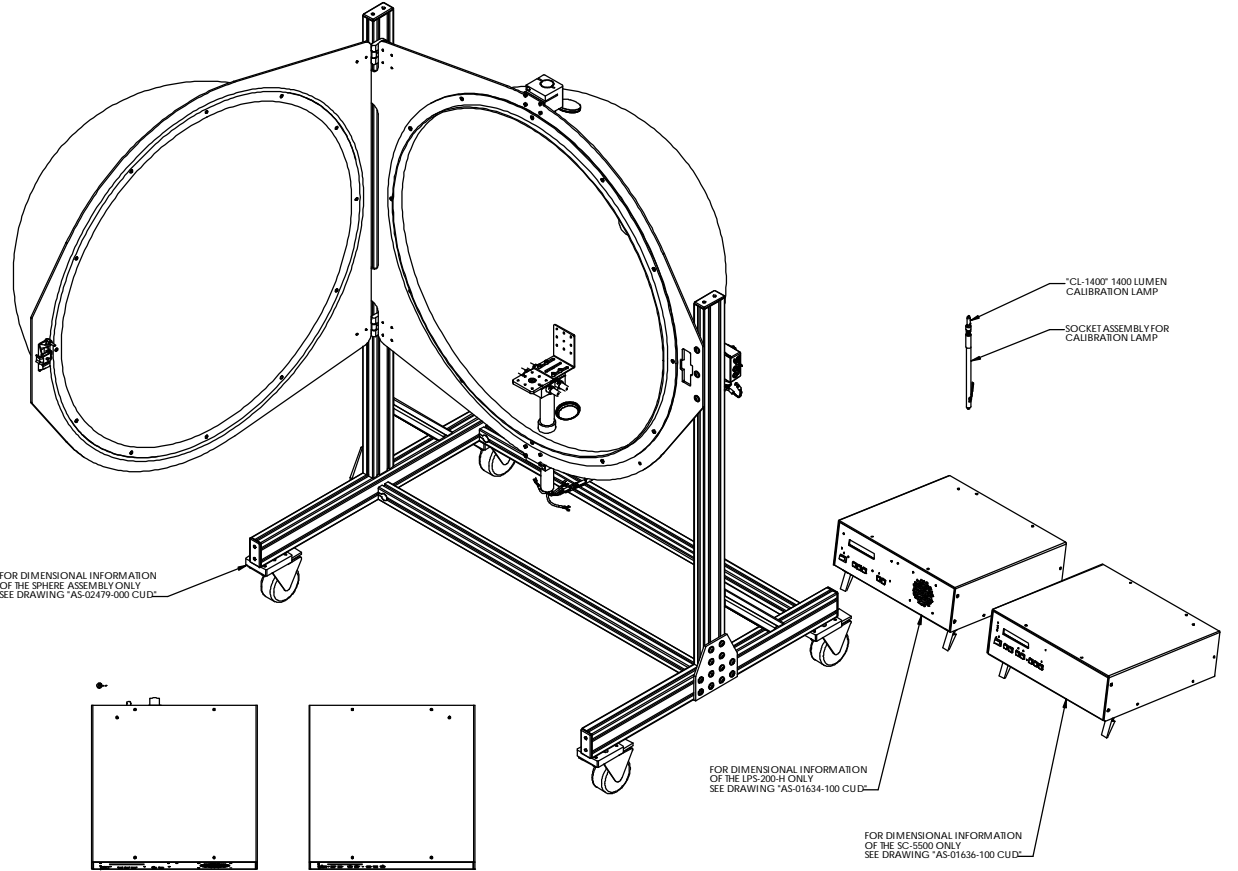
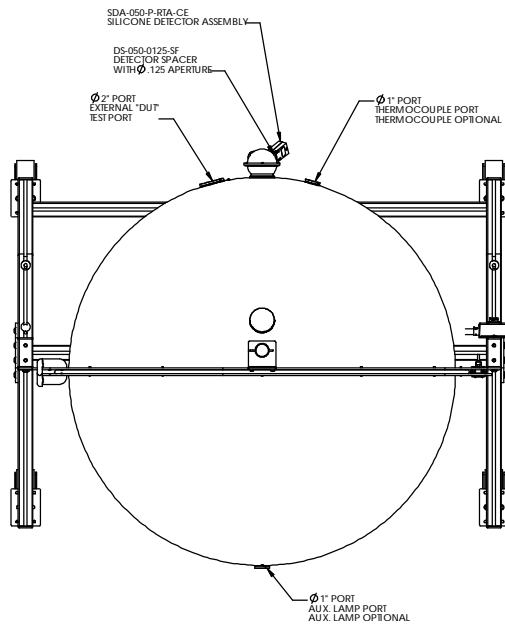


NOTE:

- 1 - CABLE (10 FEET LONG) FROM LPS-200-H TO SPHERE NOT SHOWN BUT INCLUDED WITH SYSTEM.
- 2 - TRIAX CABLE (3 METERS LONG) FROM SC-5500 TO SDA-050-P-RTA-CE NOT SHOWN BUT INCLUDED WITH SYSTEM.
- 3 - CABLE (2 FEET LONG) FROM LPS-200 TO SC-5500 NOT SHOWN BUT INCLUDED WITH SYSTEM.



ORIGINAL EQUIPMENT REQUIRED THIS DRAWING IS THE PROPERTY OF PLMS-4000 IT IS TO BE USED ONLY FOR THE PURPOSES SPECIFIED AND IS NOT TO BE REPRODUCED, COPIED, OR TRANSMITTED IN ANY FORM OR BY ANY MEANS, ELECTRONIC OR MECHANICAL, INCLUDING PHOTOCOPYING, RECORDING, OR BY ANY INFORMATION STORAGE AND RETRIEVAL SYSTEMS.		PLMS-4000 DATE: 12/01/2004 DRAWN BY: C. SHAFER CHECKED BY: C. SHAFER APPROVED BY: C. SHAFER		D 1:6 SHEET 1 OF 1 AS-02479-100 CUD	
---	--	---	--	--	--

