

Protective Shipment and Storage Cases



Protect your investment

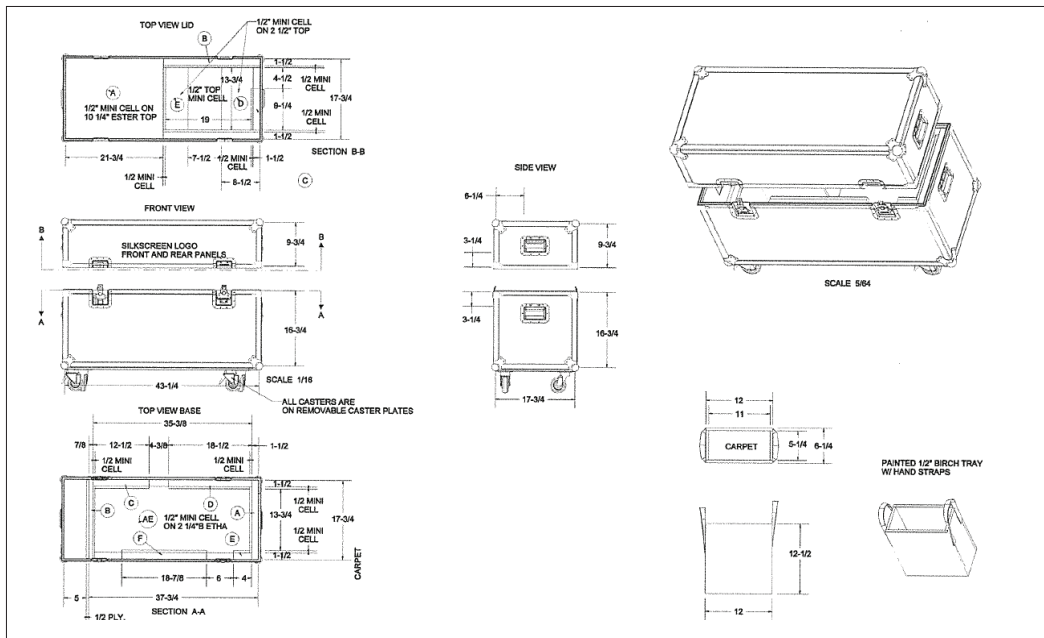
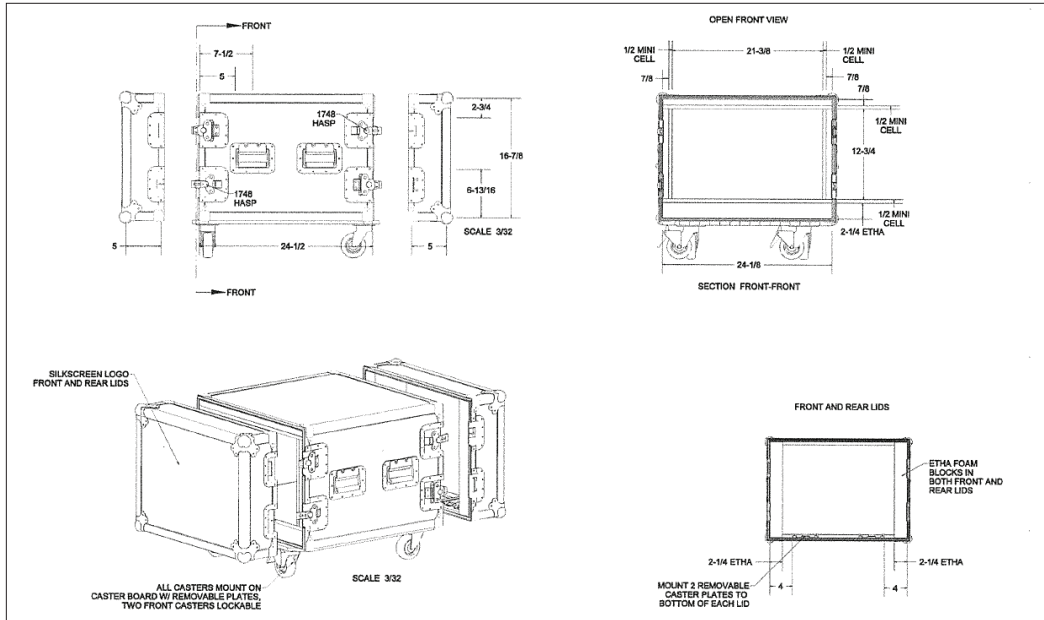
You've made a smart and valuable investment in HELIOS®Plus products for your current and future projects, so protect them for the long haul with professional transport and storage cases. Labsphere has worked with top grade case manufacturers to custom make cases that fit your system like a glove. These cases are created with wipeable surfaces and closed cell foam that is Class 100,000 (ISO Class 5) clean room compliant. They are also weather-resistant (not weather-proof) for use in field campaigns.

Features

- 7U foam-lined Rack Case with front/back removable access covers
 - No need to take rack from the case.
- 12" and 20" System Cases with pre-cut foam, 1/3 top removable case cover
- Easy storage compartments for accessories and cables
- Closed cell Class 100,000 (ISO Class 5) clean room compatible materials
- Weather-resistant construction
- Removable and storable casters for easy movement of systems
- External handles and locks for easy and secure handling

Ordering Information

HSA-CASE-20	SYSTEMS - HELIOSPlus	Protective Shipment & Carry Case for HELIOSPlus 20" System Sphere Cage	PP-04588-000
HSA-CASE-12	SYSTEMS - HELIOSPlus	Protective Shipment & Carry Case for HELIOSPlus 12" or 8" System Sphere Cage	PP-04588-100
HSA-CASE-RACK	SYSTEMS - HELIOSPlus	Protective Shipment & Carry Case for HELIOSPlus System Rack	PP-04588-200



Advancing the Technology of Light: Measure. Create. Reflect.

sales@labsphere.com

www.labsphere.com

© 2021 Labsphere, Inc. All Rights Reserved
PB-14034-000 Rev 02