

# illumia®Plus2 Control Module

Ties Integral® Software to the illumia®Plus2  
total spectral flux measurement hardware



The illumia®Plus2 Control Module is the routing module that ties Labsphere's powerful Integral Software to the illumia®Plus2 total spectral flux measurement hardware. When the ICM-500 is controlled by Integral, this user friendly, turn key system automatically routes power and metering.

## Features

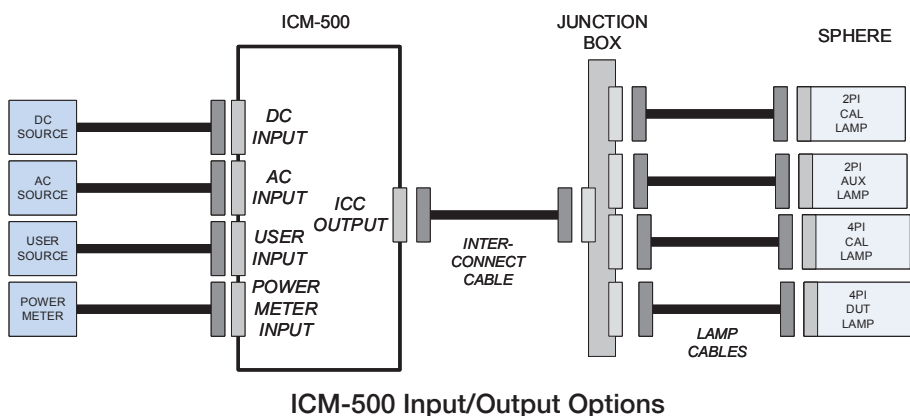
- Main hub for Integral supported power supplies and power meters
- Routes DC voltage to 2π and 4π reference lamp locations
- Routes power to absorption correction lamp
- Routes DC or AC power to devices under test
- USB inputs allow Integral Supported Devices to communicate directly with Integral

# Specifications

<b>Model Number:</b>	<b>ICM-500</b>
Component Dimensions: (H x W x D)	13 x 46.7 x 44.2 cm
Component Weight:	1.5 kg
Electrical Requirement: (max)	100 - 240 VAC, 50/60 Hz, 500 W
Operating Temperature:	+10°C to +40°C (+50°F to 104°F)
Storage Temperature:	-20°C to +60°C (-68°F to +140°F)
Operating Humidity:	30 - 90% RH (no condensation)
Storage Humidity:	10 - 95% RH (no condensation)

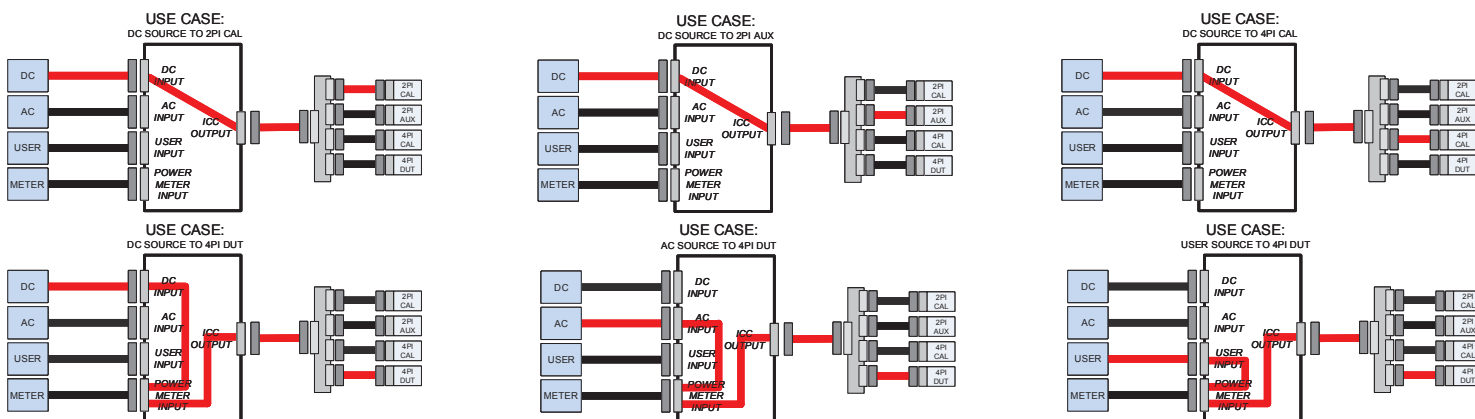
**Table 1: DC Input CPC Connector Pinout**

Pin	Description	Pin	Description
1	Sense +	5	Power -
2	Sense -	6	Fan + (not used)
3	Power +	7	Fan - (not used)
4	Earth Ground		



**ICM-500 Input/Output Options**

**ICM-500 Rear Panel**



**ICM-500 Power Routing Use Case Examples**

## illumia® Plus to illumia® Plus2 Upgrade Kit Ordering Information

**Model Number:** ICM-500-175  
**Order Number:** AS-40000-175  
*Includes: ICM-500, LPS-175 27 DC Power Supply, jumper cable and documentation for systems using 2PI-INT-050, 2PI-INT-650, SCL-050, SCL-650, AUX-050, AUX-650 and FFS-100-400 lamps*

**Model Number:** ICM-500-350  
**Order Number:** AS-40000-350  
*Includes: ICM-500, LPS-350 28 DC Power Supply, jumper cable and documentation for systems using AUX-75, FFS-100-1000, and AUX-100 lamps*

**Model Number:** ICM-500-525  
**Order Number:** AS-40000-525  
*Includes: ICM-500, LPS-525 42 DC Power Supply, jumper cable and documentation for systems using 2PI-INT-1400, AUX-1400, ISC-1400, and SCL-1400 lamps*



Advancing the Technology of Light: Measure. Create. Reflect.

sales@labsphere.com

www.labsphere.com

© 2020 Labsphere, Inc. All Rights Reserved  
 PB-14102-000 Rev 00